



SINGLE BAG

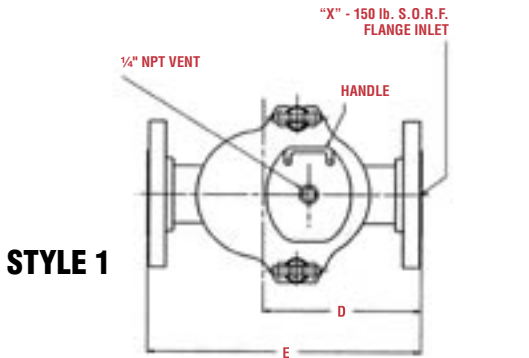
ORDER INFORMATION SHEET

FSPN35

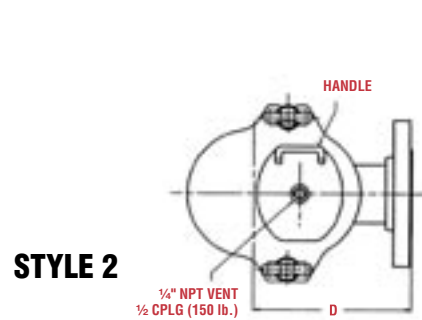
FILTER SPECIALISTS, INC.

100 Anchor Road P.O. Box 735 (46361) Michigan City, Indiana 46360
 219-879-3307 800-348-3205 Fax: 219-877-0632 www.fsifilters.com sales@fsifilters.com

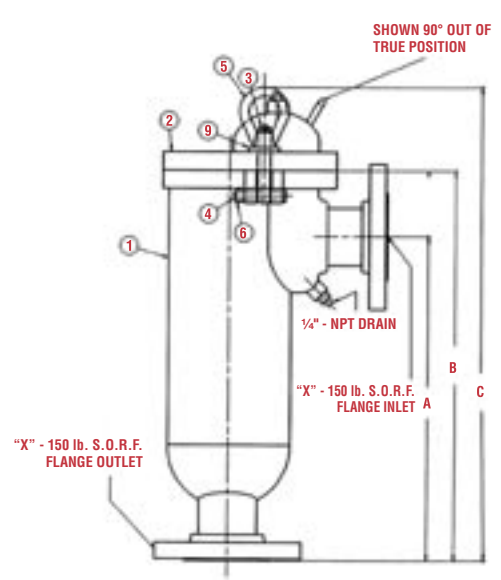
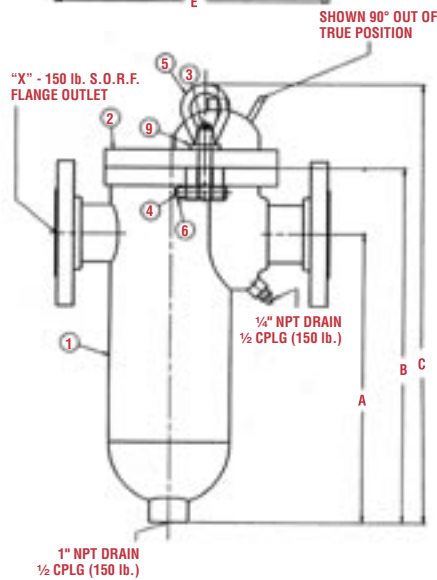
FLANGE



STYLE 1



STYLE 2



- NOTES: 1) Design: ASME Code Section VIII, Div. 1, U or UM Stamp, available on request.
 2) Custom-designed models of these units can be provided for most operating requirements on special order.
 3) Flow rate is dependant on type of media, particle selection required, fluid viscosity and volume of contamination.

C.S. & S.S.	STYLE 1 A	STYLE 2 A	STYLE 1 B	STYLE 2 B	STYLE 1 C	STYLE 2 C	STYLE 1 D	STYLE 2 D	STYLE 1 E
2" FLG	11 ¹⁵ / ₁₆ "	13 ⁷ / ₁₆ "	14 ¹¹ / ₁₆ "	16 ³ / ₁₆ "	18 ¹ / ₈ "	19 ⁵ / ₈ "	6 ¹ / ₂ "	6 ¹ / ₂ "	11 ¹ / ₄ "
1 ¹ / ₂ " FLG	11 ¹⁵ / ₁₆ "	13 ³ / ₈ "	14 ¹¹ / ₁₆ "	16 ¹ / ₈ "	18 ¹ / ₈ "	19 ⁹ / ₁₆ "	6 ⁷ / ₁₆ "	6 ⁷ / ₁₆ "	11 ¹ / ₄ "
1 ¹ / ₄ " FLG	11 ¹⁵ / ₁₆ "	13 ⁵ / ₁₆ "	14 ¹¹ / ₁₆ "	16 ¹ / ₁₆ "	18 ¹ / ₈ "	19 ¹ / ₂ "	6 ¹ / ₄ "	6 ¹ / ₄ "	10 ⁷ / ₈ "
1" FLG	11 ¹⁵ / ₁₆ "	13 ⁹ / ₁₆ "	14 ¹¹ / ₁₆ "	16 ¹ / ₁₆ "	18 ¹ / ₈ "	19 ¹ / ₂ "	6 ³ / ₁₆ "	6 ³ / ₁₆ "	10 ⁷ / ₈ "
3/4" FLG	11 ¹⁵ / ₁₆ "	13 ³ / ₁₆ "	14 ¹¹ / ₁₆ "	15 ¹⁵ / ₁₆ "	18 ¹ / ₈ "	19 ³ / ₈ "	6 ¹ / ₁₆ "	6 ¹ / ₁₆ "	10 ⁵ / ₈ "

ORDER INFORMATION Check appropriate boxes

Design Pressure: 150 PSIG Other _____

Design Temperature (F°): Max _____ Min _____

Construction Material: Carbon Steel 304 Stainless Steel 316 Stainless Steel Other _____

Basket Materials: 304 Stainless Steel (Standard) 316 Stainless Steel Other _____

Gasket Material: BUNA N (Standard) Viton Neoprene EPDM Teflon Encapsulated Other _____

Lifting Mechanism: Hinge is standard



SINGLE BAG

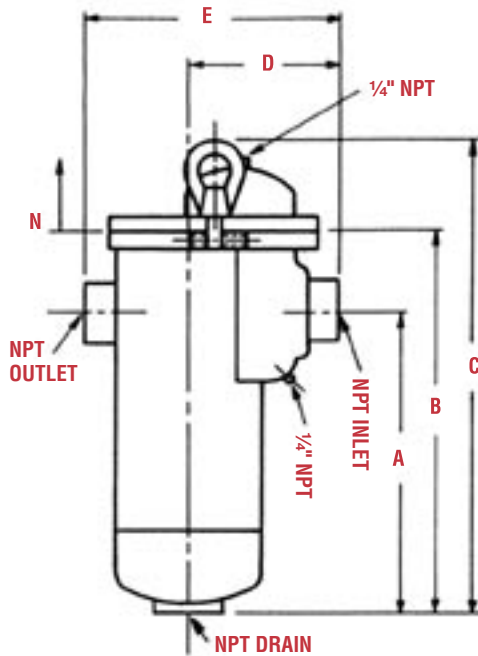
ORDER INFORMATION SHEET

FSPN35

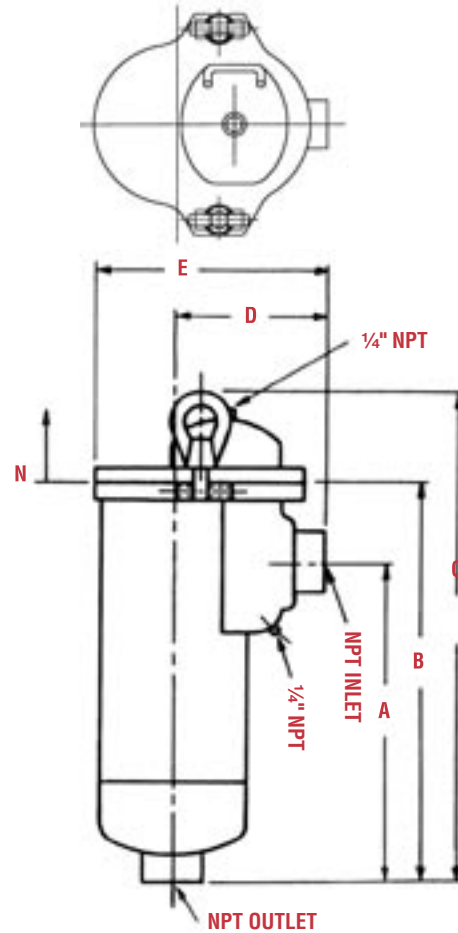
FILTER SPECIALISTS, INC.

100 Anchor Road P.O. Box 735 (46361) Michigan City, Indiana 46360
 219-879-3307 800-348-3205 Fax: 219-877-0632 www.fsifilters.com sales@fsifilters.com

NPT



STYLE 1 INLINE CONSTRUCTION WITH
 1" NPT DRAIN STANDARD
 OPTIONAL DRAIN SIZES AVAILABLE



STYLE 2 SIDE INLET
 BOTTOM OUTLET

- NOTES: 1) Design: ASME Code Section VIII, Div. 1, U or UM Stamp, available on request.
 2) Custom-designed models of these units can be provided for most operating requirements on special order.
 3) Flow rate is dependant on type of media, particle selection required, fluid viscosity and volume of contamination.

STYLE 1 S.S.	A	B	C	D	E
2" NPT	11 ¹⁵ / ₁₆ "	14 ¹ / ₁₆ "	18 ³ / ₈ "	5 ¹ / ₄ "	8 ¹ / ₂ "
1 ¹ / ₂ " NPT	11 ¹⁵ / ₁₆ "	14 ¹ / ₁₆ "	18 ³ / ₈ "	5 ¹ / ₁₆ "	8 ⁵ / ₁₆ "
1 ¹ / ₄ " NPT	11 ¹⁵ / ₁₆ "	14 ¹ / ₁₆ "	18 ³ / ₈ "	4 ⁷ / ₈ "	8 ¹ / ₄ "
1" NPT	11 ¹⁵ / ₁₆ "	14 ¹ / ₁₆ "	18 ³ / ₈ "	5"	8"
3/4" NPT	11 ¹⁵ / ₁₆ "	14 ¹ / ₁₆ "	18 ³ / ₈ "	4 ³ / ₄ "	7 ⁷ / ₈ "

STYLE 1 C.S.	A	B	C	D	E
2" NPT	11 ¹⁵ / ₁₆ "	14 ¹ / ₁₆ "	18 ³ / ₈ "	5 ¹ / ₄ "	8 ¹ / ₂ "
1 ¹ / ₂ " NPT	11 ¹⁵ / ₁₆ "	14 ¹ / ₁₆ "	18 ³ / ₈ "	5 ¹ / ₁₆ "	8 ¹ / ₈ "
1 ¹ / ₄ " NPT	11 ¹⁵ / ₁₆ "	14 ¹ / ₁₆ "	18 ³ / ₈ "	4 ⁷ / ₈ "	8"
1" NPT	11 ¹⁵ / ₁₆ "	14 ¹ / ₁₆ "	18 ³ / ₈ "	5"	8"
3/4" NPT	11 ¹⁵ / ₁₆ "	14 ¹ / ₁₆ "	18 ³ / ₈ "	4 ³ / ₄ "	7 ³ / ₄ "

STYLE 2 C.S. & S.S.	A	B	C	D
2" NPT	12 ³ / ₁₆ "	14 ¹⁵ / ₁₆ "	18 ³ / ₈ "	5 ¹ / ₄ "
1 ¹ / ₂ " NPT	12 ³ / ₁₆ "	14 ¹⁵ / ₁₆ "	18 ³ / ₈ "	5 ¹ / ₁₆ "
1 ¹ / ₄ " NPT	12 ¹ / ₁₆ "	14 ¹³ / ₁₆ "	18 ¹ / ₄ "	5"
1" NPT	12"	14 ³ / ₄ "	18 ³ / ₁₆ "	4 ⁷ / ₈ "
3/4" NPT	11 ¹⁵ / ₁₆ "	14 ¹ / ₁₆ "	18 ³ / ₈ "	4 ³ / ₄ "

ORDER INFORMATION Check appropriate boxes

Design Pressure:	<input type="checkbox"/> 150 PSIG <input type="checkbox"/> Other _____
Design Temperature (F°):	<input type="checkbox"/> Max _____ Min _____
Construction Material:	<input type="checkbox"/> Carbon Steel <input type="checkbox"/> 304 Stainless Steel <input type="checkbox"/> 316 Stainless Steel <input type="checkbox"/> Other _____
Basket Materials:	<input type="checkbox"/> 304 Stainless Steel (Standard) <input type="checkbox"/> 316 Stainless Steel <input type="checkbox"/> Other _____
Gasket Material:	<input type="checkbox"/> BUNA N (Standard) <input type="checkbox"/> Viton <input type="checkbox"/> Neoprene <input type="checkbox"/> EPR <input type="checkbox"/> Teflon Encapsulated <input type="checkbox"/> Other _____