



SINGLE BAG

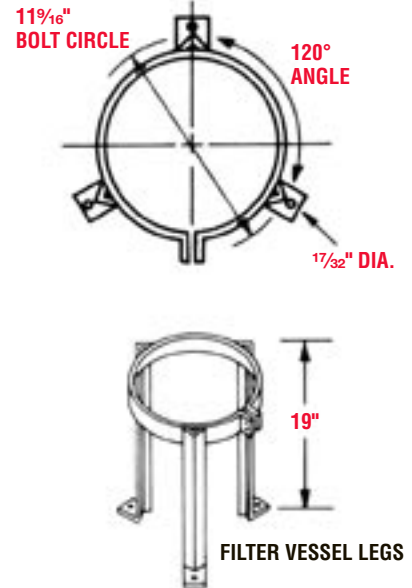
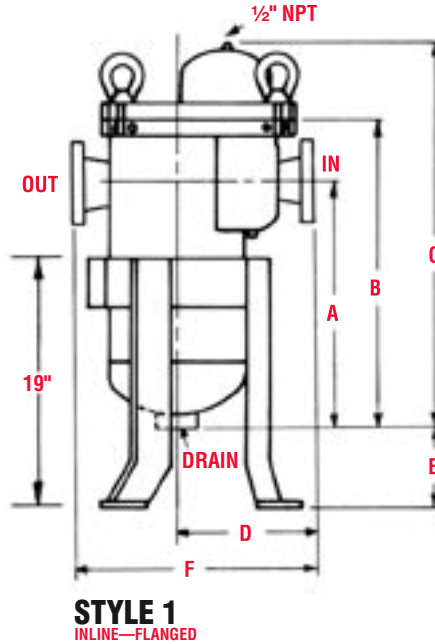
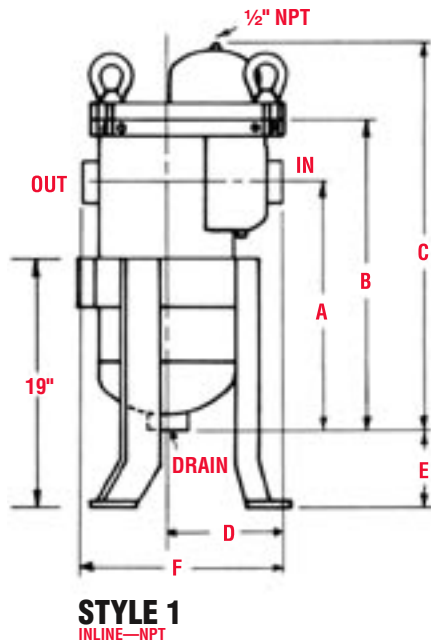
ORDER INFORMATION SHEET

FSPN-85

FILTER SPECIALISTS, INC.

100 Anchor Road P.O. Box 735 (46361) Michigan City, Indiana 46360
 219-879-3307 800-348-3205 Fax: 219-877-0632

www.fsifilters.com sales@fsifilters.com



- NOTES:
- 1) Design: ASME Code Section VIII, Div. 1, U or UM Stamp. National Board Optional.
 - 2) Custom-designed models of these units can be provided for most operating requirements on special order.
 - 3) Range of flow is dependent on type of media, particle selection required, fluid viscosity, and volume of contamination.

FSPN-85 NPT-SS

STYLE 1	A	B	C	D	E	F
3"	28"	32"	37 ⁷ / ₁₆ "	8 ¹³ / ₁₆ "	0 — 12"	15"
2 ¹ / ₂ "	28"	32"	37 ⁷ / ₁₆ "	8 ⁹ / ₁₆ "	0 — 12"	14 ³ / ₈ "
2"	28"	32"	37 ⁷ / ₁₆ "	8 ³ / ₈ "	0 — 12"	14 ¹ / ₄ "
1 ¹ / ₂ "	28"	32"	37 ⁷ / ₁₆ "	8 ¹ / ₄ "	0 — 12"	14 ¹ / ₈ "
1 ¹ / ₄ "	28"	32"	37 ⁷ / ₁₆ "	8"	0 — 12"	13 ⁵ / ₈ "
1"	28"	32"	37 ⁷ / ₁₆ "	7 ⁷ / ₈ "	0 — 12"	13 ³ / ₈ "
3/4"	28"	32"	37 ⁷ / ₁₆ "	7 ¹¹ / ₁₆ "	0 — 12"	13 ¹ / ₈ "
1/2"	28"	32"	37 ⁷ / ₁₆ "	7 ⁵ / ₈ "	0 — 12"	13"

- 2" NPT drain standard
- 1/4" NPT plug on inlet drain

Dimensions for reference only. Certified drawings for exact dimensions available on request.

FSPN-85 FLG-SS

STYLE 1	A	B	C	D	E	F
4"	28"	32"	37 ⁷ / ₁₆ "	10"	0 — 11"	18 ¹ / ₂ "
3 ¹ / ₂ "	28"	32"	37 ⁷ / ₁₆ "	10"	0 — 11"	18 ¹ / ₂ "
3"	28"	32"	37 ⁷ / ₁₆ "	9 ¹ / ₂ "	0 — 11"	17 ⁷ / ₈ "
2 ¹ / ₂ "	28"	32"	37 ⁷ / ₁₆ "	9 ¹ / ₂ "	0 — 11"	17 ⁷ / ₁₆ "
2"	28"	32"	37 ⁷ / ₁₆ "	9 ¹ / ₄ "	0 — 11"	17 ¹ / ₁₆ "
1 ¹ / ₂ "	28"	32"	37 ⁷ / ₁₆ "	9 ³ / ₁₆ "	0 — 11"	17"
1 ¹ / ₄ "	28"	32"	37 ⁷ / ₁₆ "	9"	0 — 11"	16 ¹¹ / ₁₆ "
1"	28"	32"	37 ⁷ / ₁₆ "	8 ¹⁵ / ₁₆ "	0 — 11"	16 ⁹ / ₁₆ "
3/4"	28"	32"	37 ⁷ / ₁₆ "	8 ¹³ / ₁₆ "	0 — 11"	16 ⁵ / ₁₆ "
1/2"	28"	32"	37 ⁷ / ₁₆ "	8 ⁵ / ₈ "	0 — 11"	15 ¹⁵ / ₁₆ "

ORDER INFORMATION

Check appropriate boxes

Design Pressure: 150 PSIG 300 PSIG Other _____

Design Temperature (F°): Max _____ Min _____

Construction Material: Carbon Steel 304 Stainless Steel 316 Stainless Steel Other _____

Basket Materials: 304 Stainless Steel (Standard) 316 Stainless Steel Other _____

Gasket Material: BUNA N (Standard) Viton Neoprene EPR Teflon Encapsulated Other _____

Lifting Mechanism: Hinge is standard

Options: Corr. Allowance _____ Coating _____ Heating Jacket



SINGLE BAG

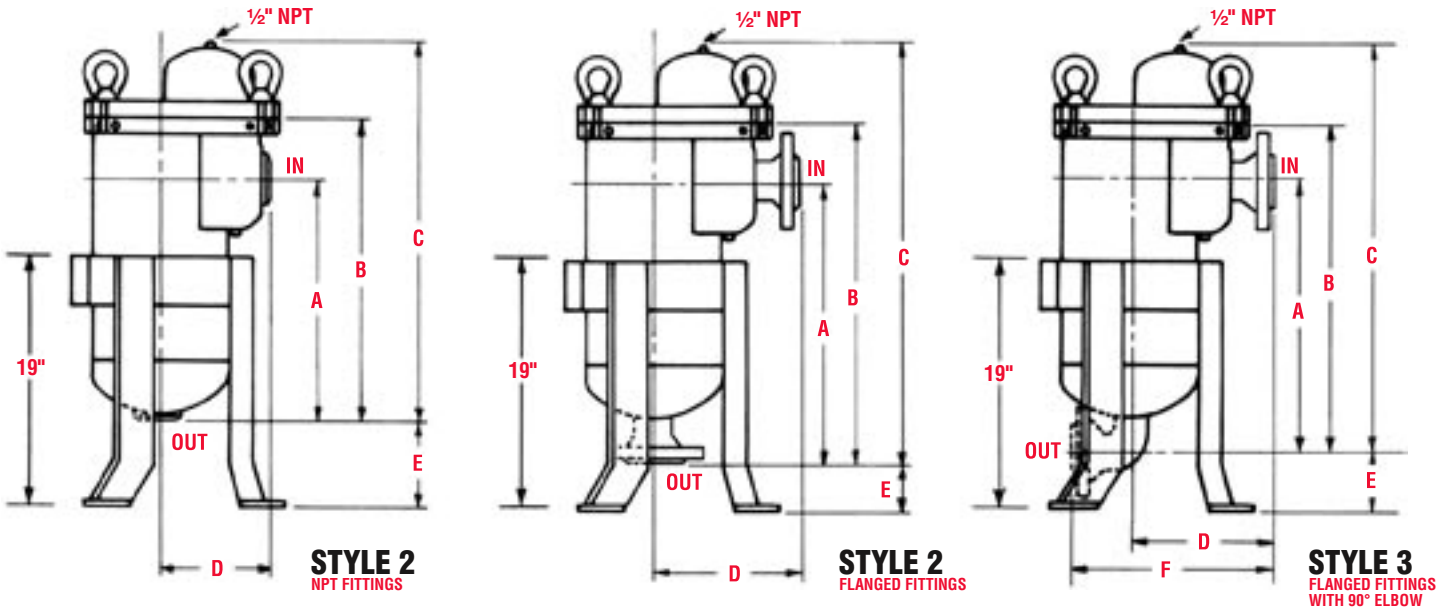
ORDER INFORMATION SHEET

FSPN-85

FILTER SPECIALISTS, INC.

100 Anchor Road P.O. Box 735 (46361) Michigan City, Indiana 46360

219-879-3307 800-348-3205 Fax: 219-877-0632 www.fsifilters.com sales@fsifilters.com



FSPN-85 NPT-SS

STYLE 2	A	B	C	D	E
3"	28 ⁵ / ₁₆ "	32 ⁵ / ₁₆ "	37 ³ / ₄ "	8 ¹ / ₄ "	0 — 13 ¹ / ₄ "
2 ¹ / ₂ "	28 ¹ / ₈ "	32 ¹ / ₈ "	37 ⁹ / ₁₆ "	8 ⁵ / ₈ "	0 — 13 ¹ / ₄ "
2"	27 ¹ / ₁₆ "	31 ¹ / ₁₆ "	37 ³ / ₈ "	8 ³ / ₈ "	0 — 13 ¹ / ₄ "
1 ¹ / ₂ "	27 ⁷ / ₈ "	31 ⁷ / ₈ "	37 ⁵ / ₁₆ "	8 ¹ / ₄ "	0 — 13 ¹ / ₄ "
1 ¹ / ₄ "	27 ¹ / ₁₆ "	31 ¹ / ₁₆ "	37 ¹ / ₈ "	8 ¹ / ₁₆ "	0 — 13 ¹ / ₄ "
1"	27 ¹ / ₁₆ "	31 ⁹ / ₁₆ "	37"	7 ¹ / ₁₆ "	0 — 13 ¹ / ₄ "
3/4"	27 ¹ / ₁₆ "	31 ⁷ / ₁₆ "	36 ⁷ / ₈ "	7 ³ / ₄ "	0 — 13 ¹ / ₄ "
1/2"	27 ³ / ₈ "	31 ³ / ₈ "	36 ¹ / ₁₆ "	7 ¹ / ₁₆ "	0 — 13 ¹ / ₄ "

FSPN-85 FLG-SS

STYLE 2	A	B	C	D	E
4"	29 ⁷ / ₁₆ "	33 ⁷ / ₁₆ "	38 ⁷ / ₈ "	10"	0 — 10"
3 ¹ / ₂ "	29 ⁷ / ₁₆ "	33 ⁷ / ₁₆ "	38 ⁷ / ₈ "	10"	0 — 10"
3"	29"	33"	38 ⁷ / ₁₆ "	9 ¹ / ₂ "	0 — 10"
2 ¹ / ₂ "	29 ¹ / ₁₆ "	33 ¹ / ₁₆ "	38 ¹ / ₂ "	9 ¹ / ₂ "	0 — 10"
2"	28 ⁷ / ₈ "	32 ⁷ / ₈ "	38 ⁵ / ₁₆ "	9 ¹ / ₄ "	0 — 10"
1 ¹ / ₂ "	28 ¹ / ₁₆ "	32 ⁷ / ₈ "	38 ⁵ / ₁₆ "	9 ³ / ₁₆ "	0 — 10"
1 ¹ / ₄ "	28 ⁵ / ₈ "	32 ³ / ₈ "	38 ³ / ₁₆ "	9"	0 — 10"
1"	28 ⁵ / ₈ "	32 ³ / ₈ "	38 ³ / ₁₆ "	8 ¹ / ₁₆ "	0 — 10"
3/4"	28 ¹ / ₂ "	32 ¹ / ₂ "	37 ¹ / ₁₆ "	8 ¹ / ₁₆ "	0 — 10"
1/2"	28 ⁵ / ₁₆ "	32 ⁵ / ₁₆ "	37 ³ / ₄ "	8 ⁵ / ₈ "	0 — 10"

- NOTES:
- 1) Design: ASME Code Section VIII, Div. 1, U or UM Stamp. National Board Optional.
 - 2) Custom-designed models of these units can be provided for most operating requirements on special order.
 - 3) Range of flow is dependent on type of media, particle selection required, fluid viscosity, and volume of contamination.

FSPN-85 FLG-SS

STYLE 3	A	B	C	D	E	F
4"	32"	36"	41 ¹ / ₁₆ "	10"	0 — 7 ¹ / ₈ "	16 ³ / ₈ "
3 ¹ / ₂ "	31 ³ / ₈ "	35 ³ / ₈ "	40 ¹ / ₁₆ "	10"	0 — 7 ¹ / ₈ "	15 ⁵ / ₈ "
3"	30 ¹ / ₁₆ "	34 ¹ / ₁₆ "	40 ¹ / ₈ "	9 ¹ / ₂ "	0 — 7 ¹ / ₈ "	14 ³ / ₈ "
2 ¹ / ₂ "	30"	34"	39 ⁷ / ₁₆ "	9 ¹ / ₂ "	0 — 7 ¹ / ₈ "	13 ³ / ₈ "
2"	29 ¹ / ₄ "	33 ¹ / ₄ "	38 ¹ / ₁₆ "	9 ¹ / ₄ "	0 — 7 ¹ / ₈ "	12 ⁵ / ₈ "
1 ¹ / ₂ "	29 ¹ / ₂ "	33 ¹ / ₂ "	38 ¹ / ₁₆ "	9 ³ / ₁₆ "	0 — 7 ¹ / ₈ "	14 ¹ / ₁₆ "
1 ¹ / ₄ "	29 ⁵ / ₁₆ "	33 ⁵ / ₁₆ "	38 ³ / ₄ "	9"	0 — 7 ¹ / ₈ "	13 ⁵ / ₁₆ "
1"	29 ³ / ₈ "	33 ³ / ₈ "	38 ¹ / ₁₆ "	8 ¹ / ₁₆ "	0 — 7 ¹ / ₈ "	12 ¹ / ₁₆ "
3/4"	29 ¹ / ₁₆ "	33 ¹ / ₁₆ "	38 ³ / ₄ "	8 ¹ / ₁₆ "	0 — 7 ¹ / ₈ "	12 ³ / ₁₆ "
1/2"	29 ³ / ₈ "	33 ³ / ₈ "	38 ¹ / ₁₆ "	8 ⁵ / ₈ "	0 — 7 ¹ / ₈ "	12 ³ / ₁₆ "

• 1/4" NPT plug on inlet drain
 Dimensions for reference only. Certified drawings for exact dimensions available on request.

ORDER INFORMATION Check appropriate boxes

Design Pressure: 150 PSIG 300 PSIG Other _____

Design Temperature (°F): Max _____ Min _____

Construction Material: Carbon Steel 304 Stainless Steel 316 Stainless Steel Other _____

Basket Materials: 304 Stainless Steel (Standard) 316 Stainless Steel Other _____

Gasket Material: BUNA N (Standard) Viton Neoprene EPR Teflon Encapsulated Other _____

Lifting Mechanism: Hinge is standard

Options: Corr. Allowance _____ Coating _____ Heating Jacket