



MULTI-BAG

ORDER INFORMATION SHEET

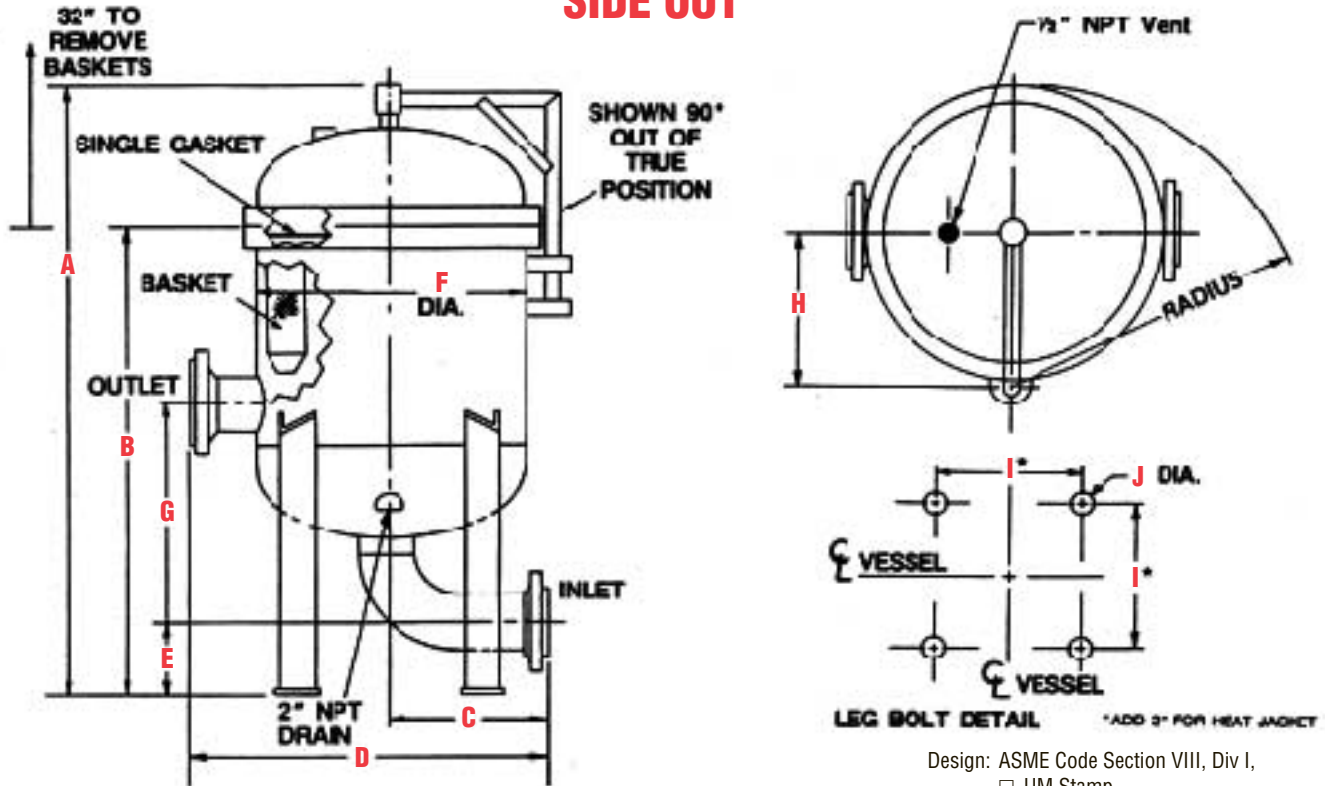
FSPN-1000

FSPN-1100

FILTER SPECIALISTS, INC.

100 Anchor Road P.O. Box 735 (46361) Michigan City, Indiana 46360
 219-879-3307 800-348-3205 Fax: 219-877-0632 www.fsifilters.com

SIDE OUT



Design: ASME Code Section VIII, Div I,
 UM Stamp
 National Board

MODEL	A	B	C	D	E	F	G	H	I	J	RADIUS	NO. BAGS
FSPN-1000-3	62 1/4"	43"	13"	29"	4 1/4"	22"	19"	13 1/4"	13 5/8"	1"	27 1/2"	5
FSPN-1000-4	64 3/4"	45"	13"	29"	5"	22"	21"	13 1/4"	13 5/8"	1"	27 1/2"	5
FSPN-1000-6	68 3/4"	49"	13"	29"	6"	22"	24"	13 1/4"	13 5/8"	1"	27 1/2"	5
FSPN-1100-3	65"	43 3/4"	14"	32"	4 1/4"	26"	20"	15 1/4"	16 7/16"	1"	31 1/2"	6
FSPN-1100-4	66 1/2"	45 1/4"	14"	32"	5"	26"	21"	15 1/4"	16 7/16"	1"	31 1/2"	6
FSPN-1100-6	71 1/4"	50"	15"	32"	6"	26"	25"	15 1/4"	16 7/16"	1"	31 1/2"	6

Dimensions for reference only. Certified drawings for exact dimensions are available upon request.

ORDER INFORMATION Check appropriate boxes

Design Pressure: 100 PSIG 150 PSIG Other

Design Temperature (F°): Max _____ Min _____

Construction Material: Carbon Steel 304 Stainless Steel 316 Stainless Steel Other _____

Basket Materials: 304 Stainless Steel (Standard) 316 Stainless Steel Other _____

Gasket Material: BUNA N (Standard) Viton Neoprene EPDM Teflon Encapsulated Other _____

Lifting Mechanism: Hydraulic Hand Crank EZ Open Other

Options: Corr. Allowance _____ Coating _____



MULTI-BAG

ORDER INFORMATION SHEET

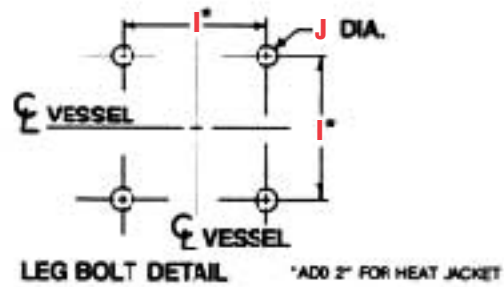
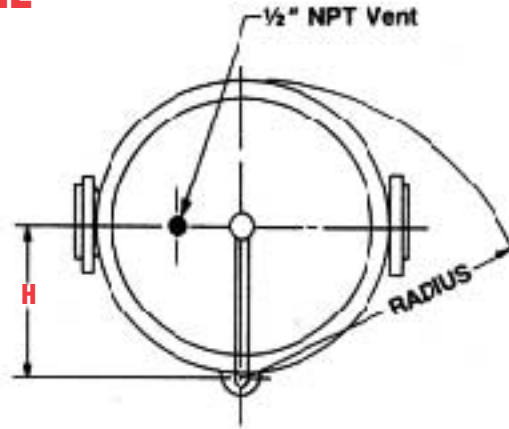
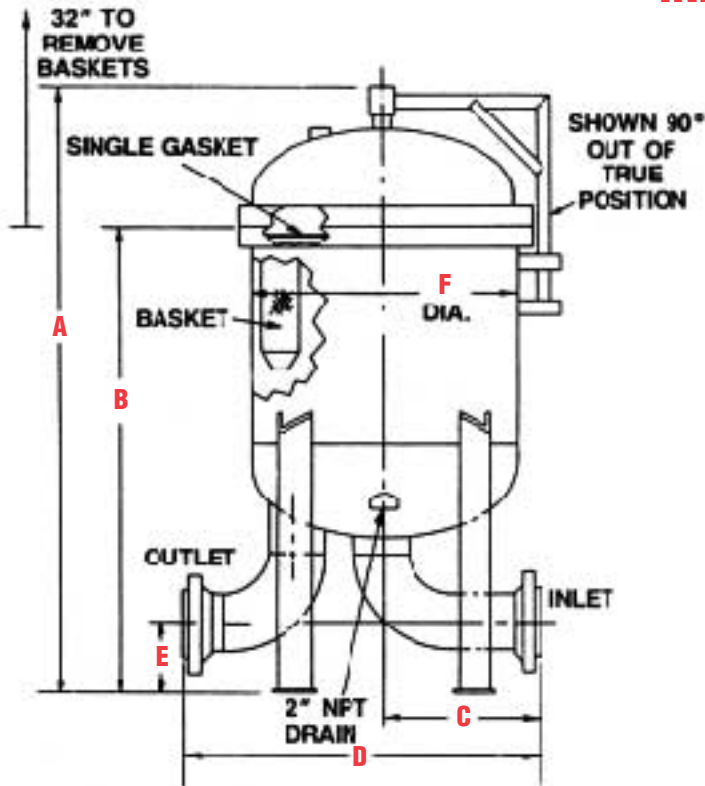
FSPN-1000

FSPN-1100

FILTER SPECIALISTS, INC.

100 Anchor Road P.O. Box 735 (46361) Michigan City, Indiana 46360
 219-879-3307 800-348-3205 Fax: 219-877-0632 www.fsifilters.com

INLINE



Design: ASME Code Section VIII, Div I,
 UM Stamp
 National Board

MODEL	A	B	C	D	E	F	H	I	J	RADIUS	NO. BAGS
FSPN-1000-3	62 $\frac{1}{4}$ "	43"	13"	27 $\frac{1}{2}$ "	4 $\frac{1}{4}$ "	22"	13 $\frac{1}{4}$ "	13 $\frac{3}{8}$ "	1"	27 $\frac{1}{2}$ "	5
FSPN-1000-4	64 $\frac{3}{4}$ "	45"	13"	29"	5"	22"	13 $\frac{1}{4}$ "	13 $\frac{3}{8}$ "	1"	27 $\frac{1}{2}$ "	5
FSPN-1000-6	69 $\frac{1}{2}$ "	49"	14"	34 $\frac{1}{2}$ "	6"	24"	14 $\frac{1}{4}$ "	15 $\frac{7}{16}$ "	1"	29 $\frac{1}{2}$ "	5
FSPN-1100-3	65"	43 $\frac{3}{4}$ "	14"	30"	4 $\frac{1}{4}$ "	26"	15 $\frac{1}{4}$ "	16 $\frac{7}{16}$ "	1"	31 $\frac{1}{2}$ "	6
FSPN-1100-4	66 $\frac{1}{2}$ "	45 $\frac{1}{4}$ "	14"	30"	5"	26"	15 $\frac{1}{4}$ "	16 $\frac{7}{16}$ "	1"	31 $\frac{1}{2}$ "	6
FSPN-1100-6	71 $\frac{1}{4}$ "	50"	15"	36 $\frac{1}{2}$ "	6"	26"	15 $\frac{1}{4}$ "	16 $\frac{7}{16}$ "	1"	31 $\frac{1}{2}$ "	6

Dimensions for reference only. Certified drawings for exact dimensions are available upon request.

ORDER INFORMATION Check appropriate boxes

Design Pressure: 100 PSIG 150 PSIG Other _____

Design Temperature (°F): Max _____ Min _____

Construction Material: Carbon Steel 304 Stainless Steel 316 Stainless Steel Other _____

Basket Materials: 304 Stainless Steel (Standard) 316 Stainless Steel Other _____

Gasket Material: BUNA N (Standard) Viton Neoprene EPDM Teflon Encapsulated Other _____

Lifting Mechanism: Hydraulic Hand Crank EZ Open Other _____

Options: Corr. Allowance _____ Coating _____